



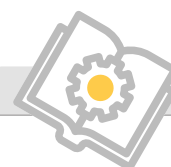
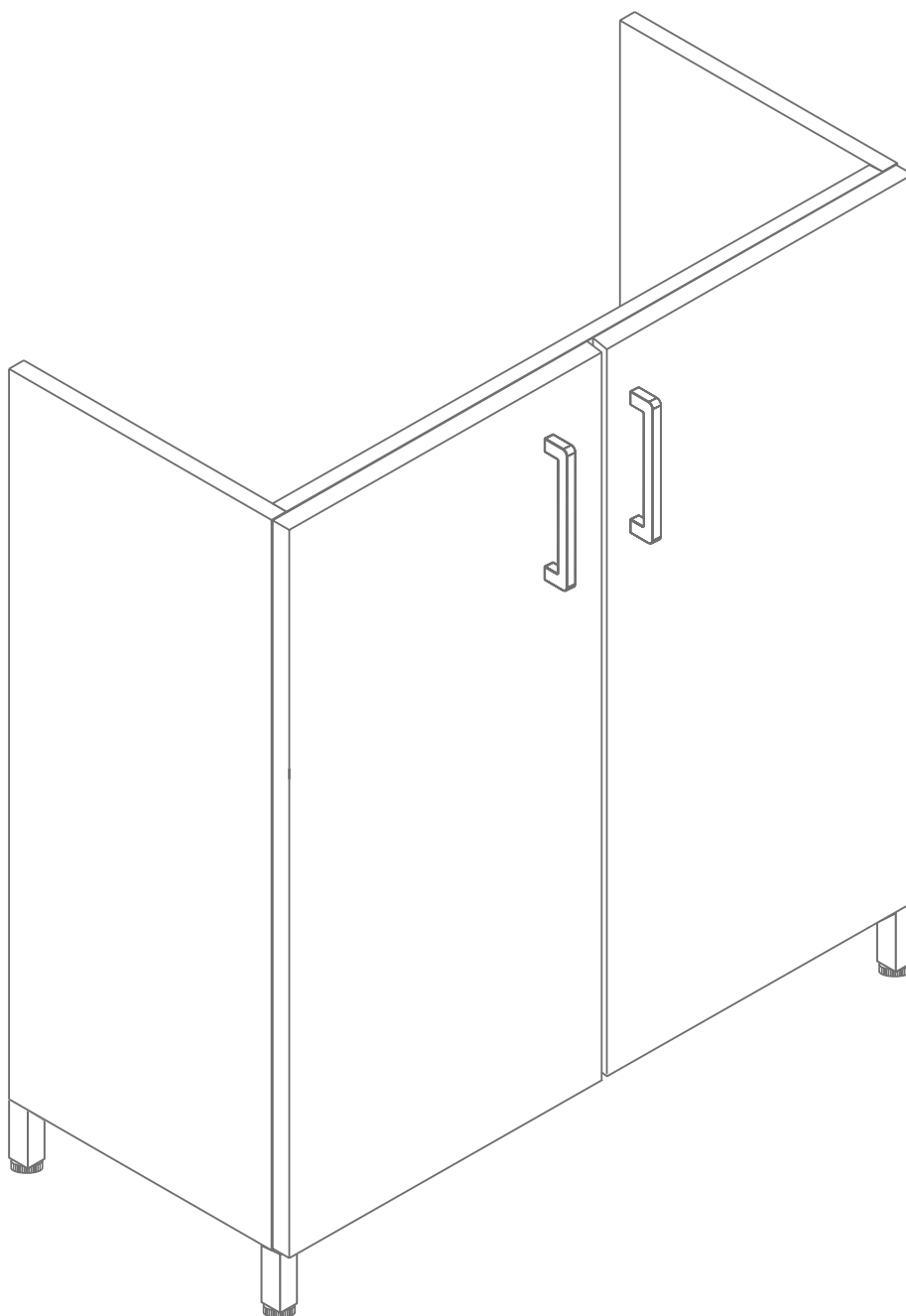
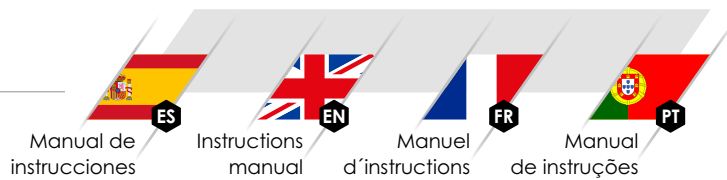
EXPORT

## Módulo 2 puertas

*2-door module*

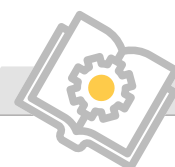
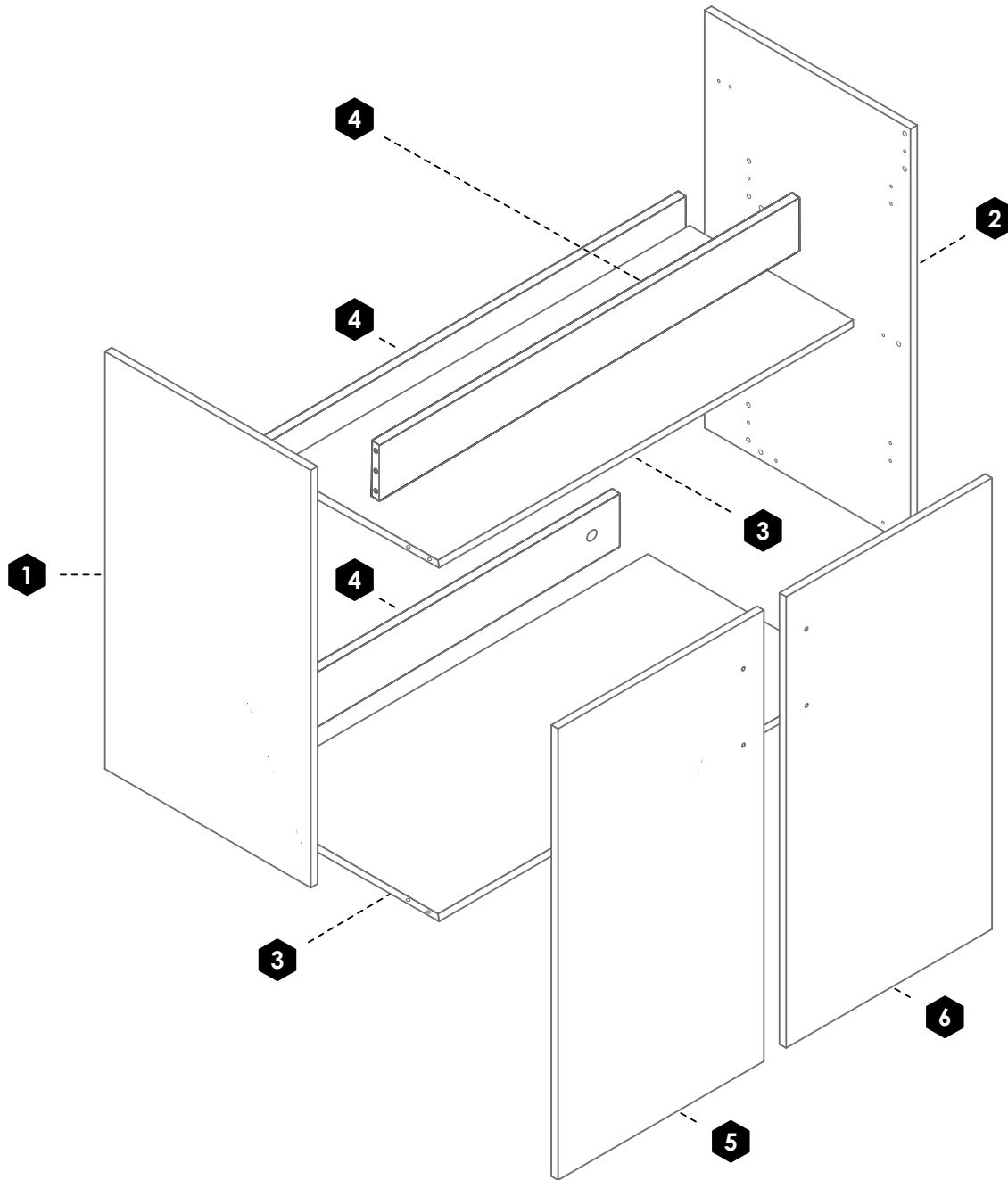
*Module 2 portes*

*Módulo de 2 portas*



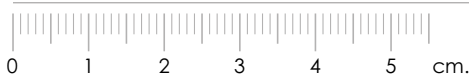


EXPORT

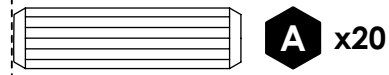




EXPORT



**+ P2 x16**  
3'5X16

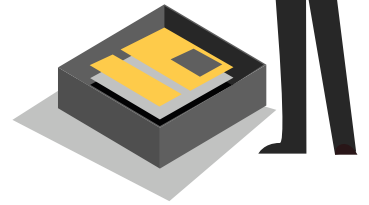
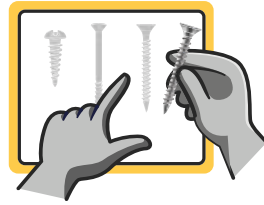


**A x20**

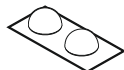
**+ B x14**



**+ T2 x4**  
3'5X35



**F x2**

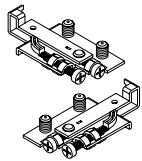


**Lágrimas**  
Tears  
Larmes  
Lágrimas

**C x14**  
**Excéntrica ø15x12mm.**  
Eccentric ø15x12mm  
Eccentric ø15x12mm  
Excêntrico ø15x12mm

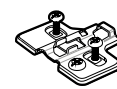


**K1 x1**



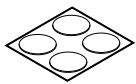
**Juego colgador**  
Hanging game  
Jeu de suspension  
Conjunto de cabides

**M2 x4**



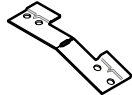
**Bisagra recta**  
Straight hinge  
Charnière droite  
Dobradiça reta

**D x14**



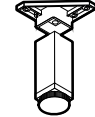
**Pegatinas ø20mm**  
Sticker ø20mm  
Autocollant ø20mm  
Adesivo ø20mm

**K2 x1**



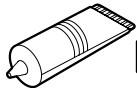
**Juego colgador**  
Hanging game  
Jeu de suspension  
Conjunto de cabides

**P x4**



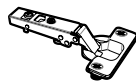
**Juego Patas**  
Set of legs  
Ensemble de jambes  
Conjunto de pernas

**E x1**



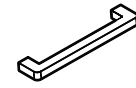
**Pegamento**  
Glue  
Colle  
Cola

**M1 x4**

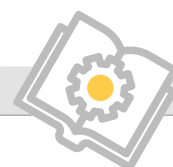
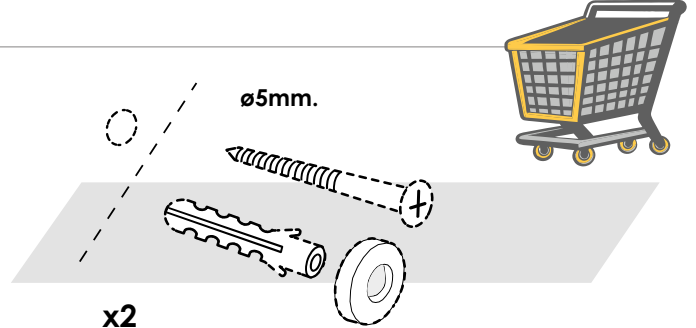
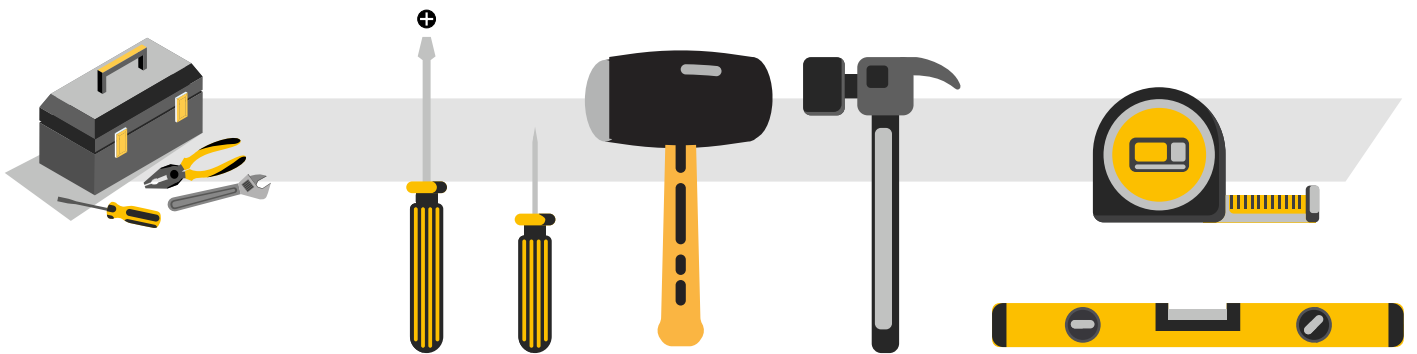


**Bisagra recta**  
Straight hinge  
Charnière droite  
Dobradiça reta

**T x2**

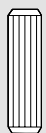


**Tirador**  
Handle  
Poignée  
Maçaneta





EXPORT



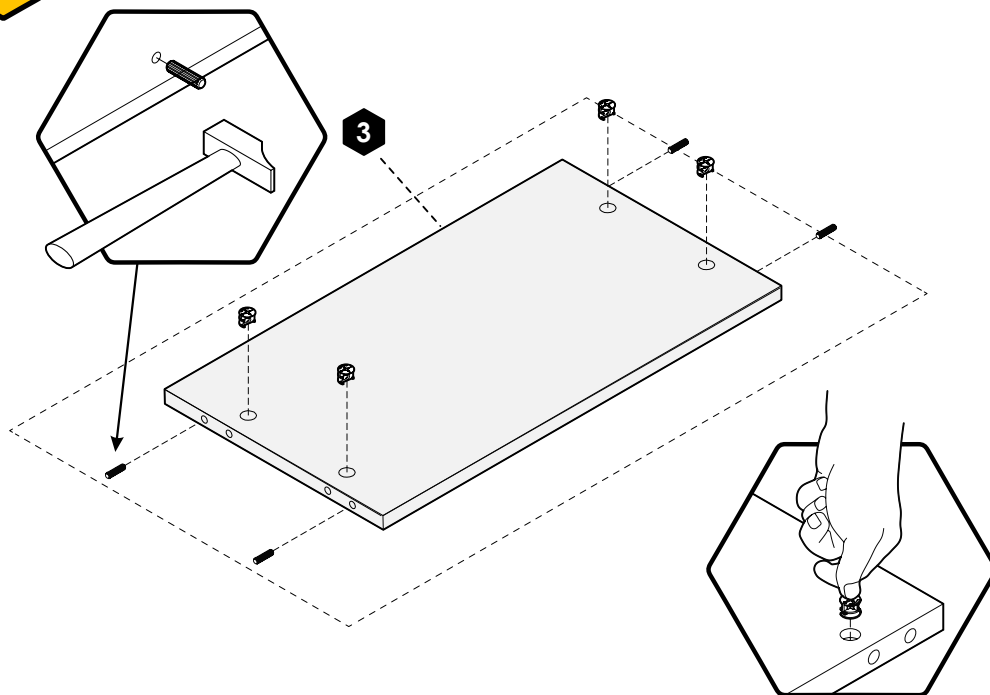
**A**  
x20



**C**  
x14

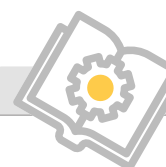
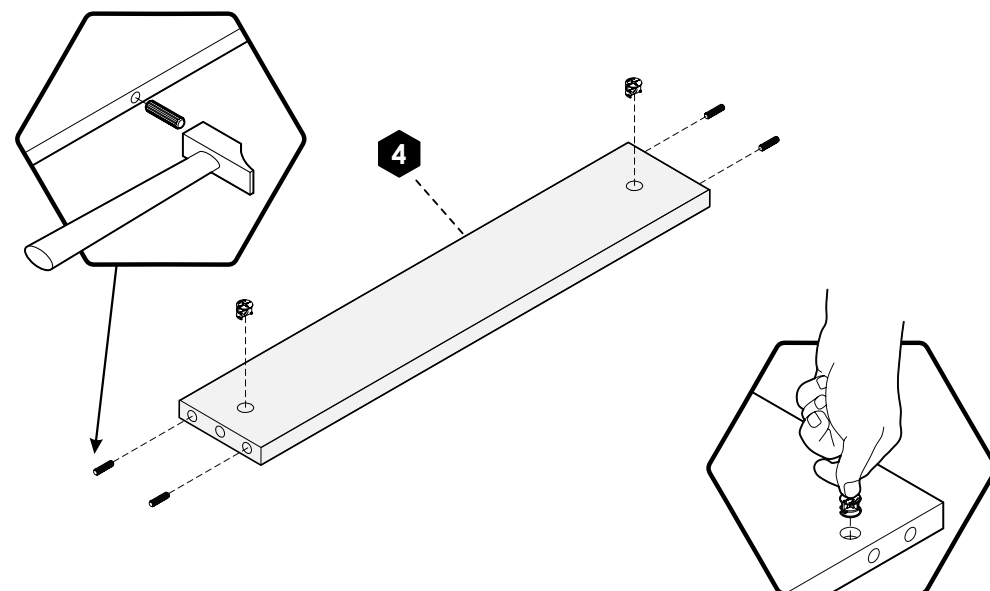
**1**

**x2**



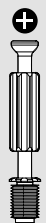
**2**

**x3**

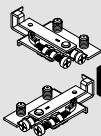




EXPORT

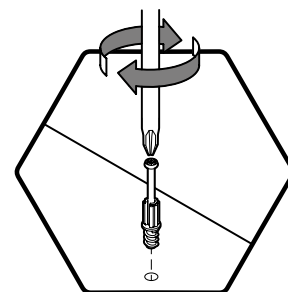
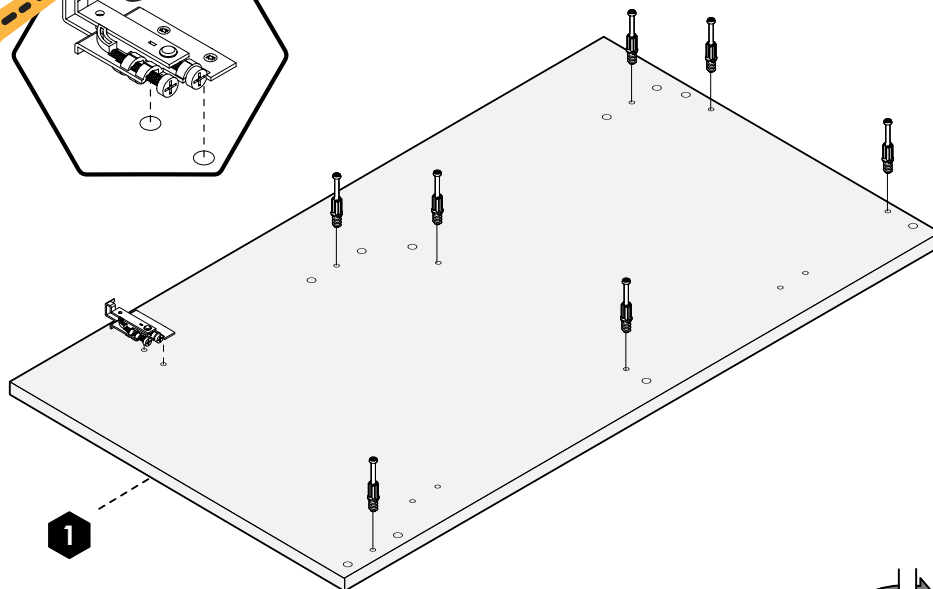
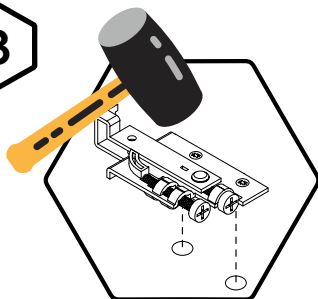


**B**  
x14

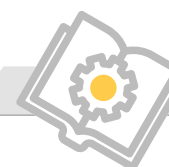
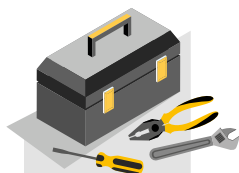
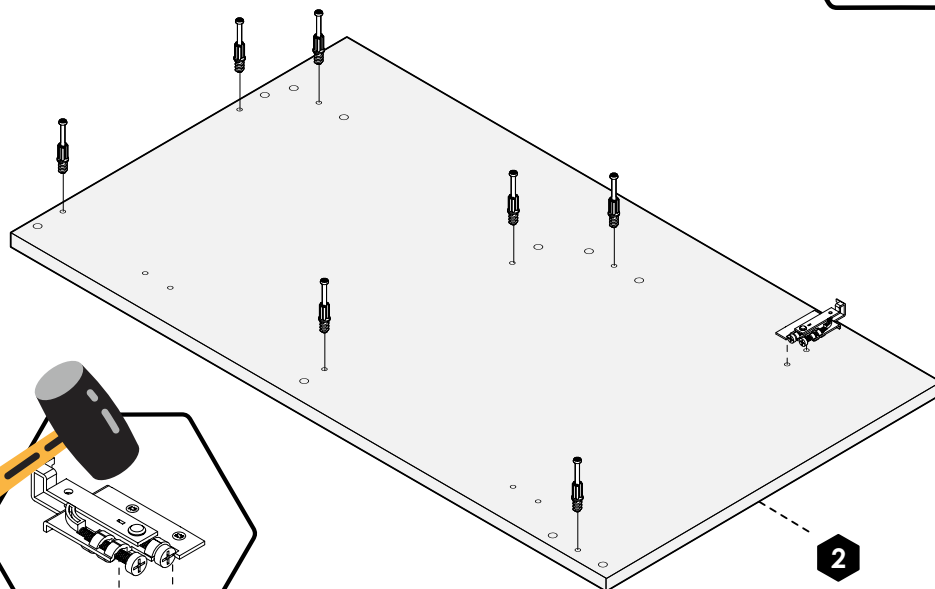
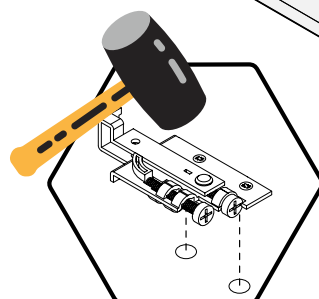


**K1**  
x1

**3**

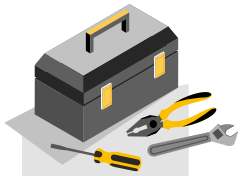


**4**





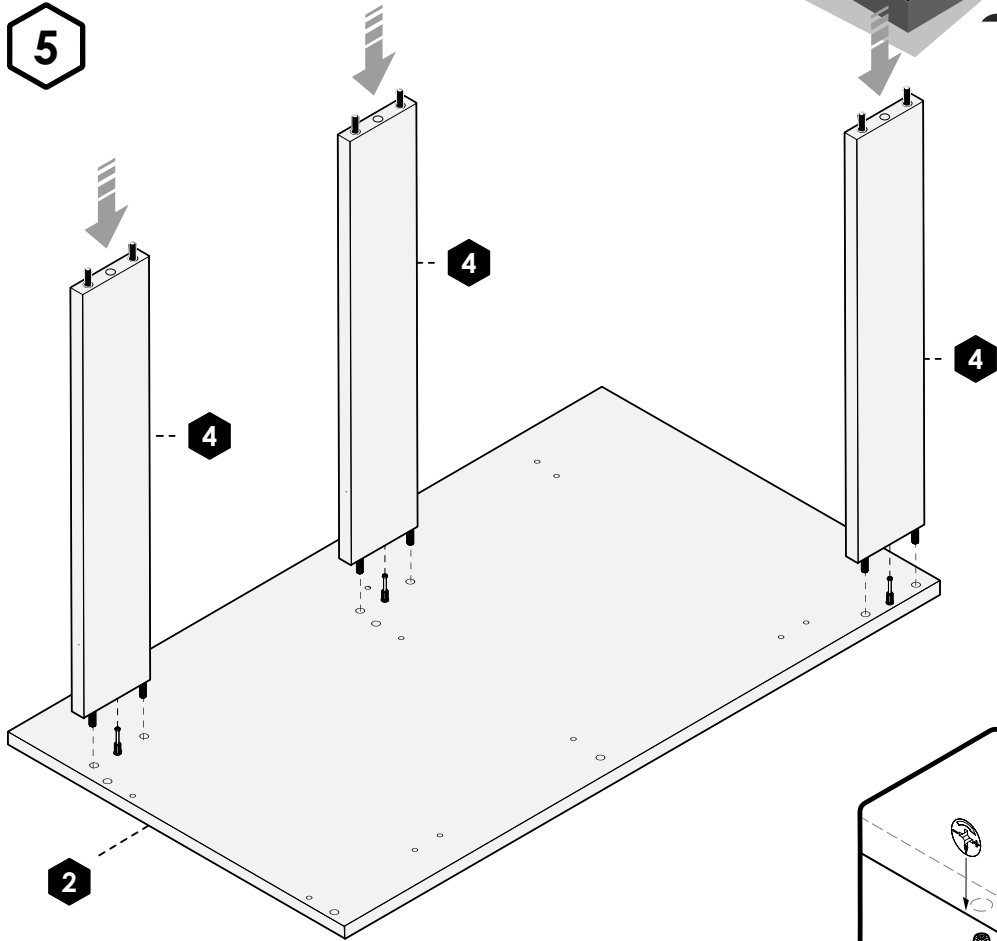
EXPORT



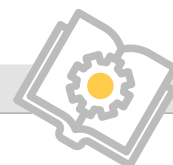
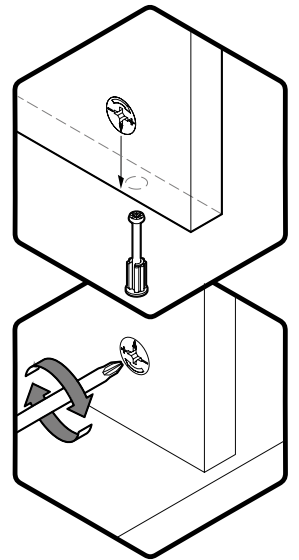
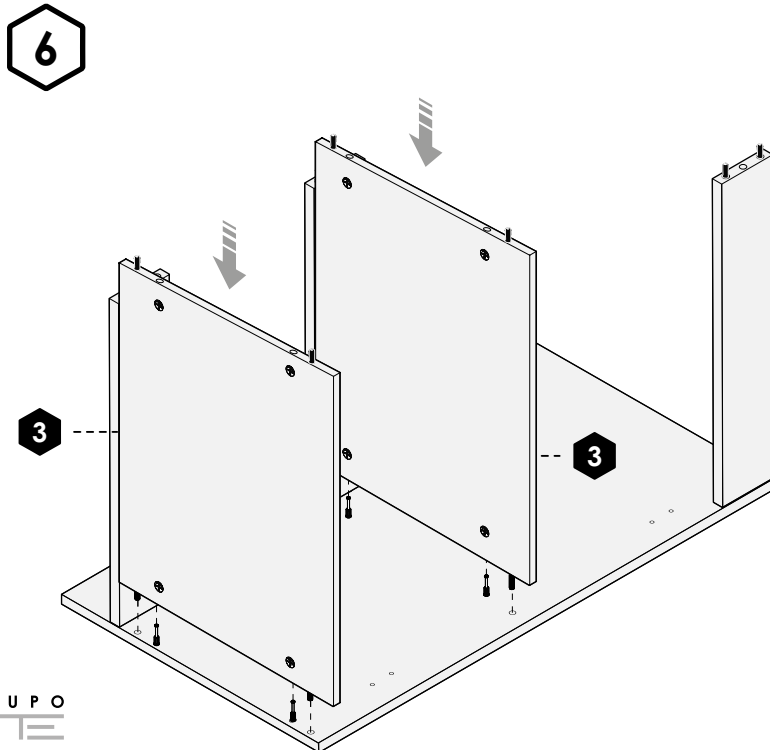
+



5

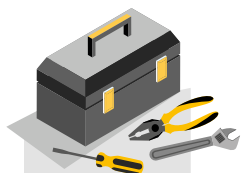


6

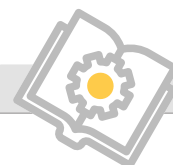
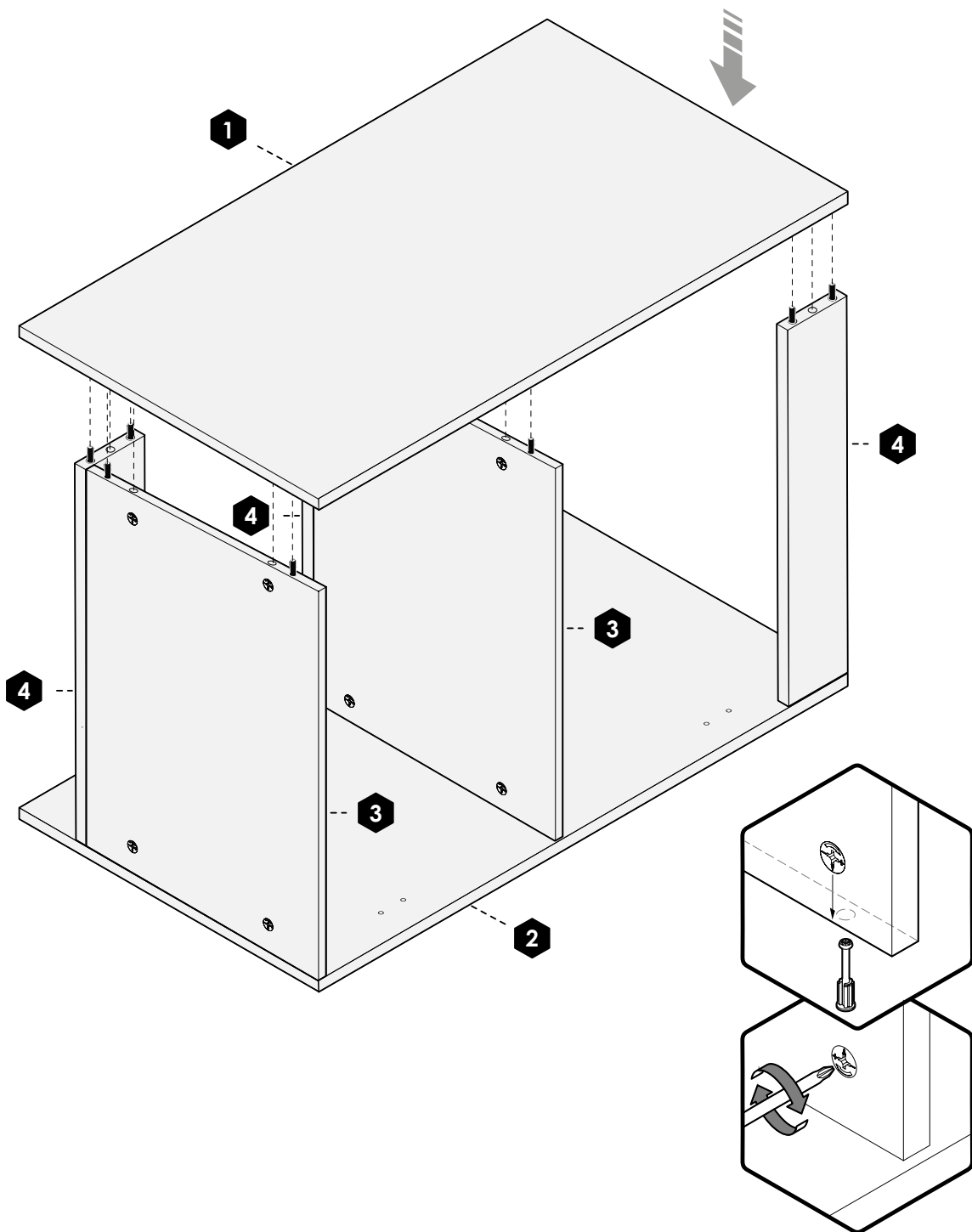
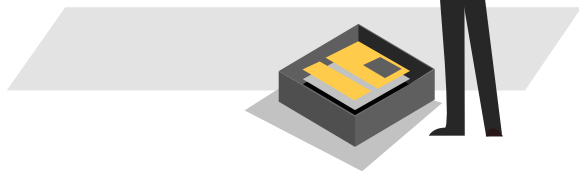




EXPORT

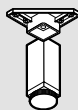


7



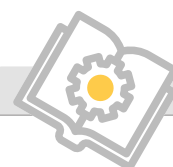
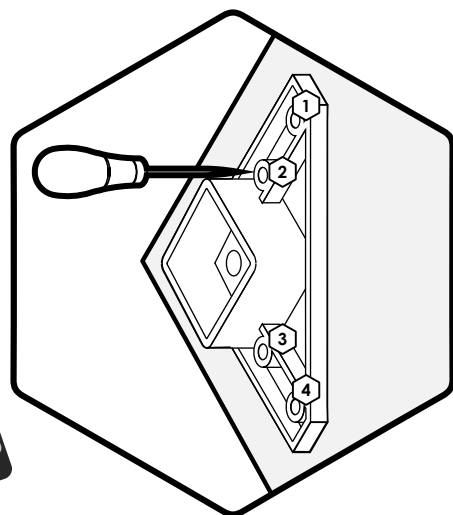
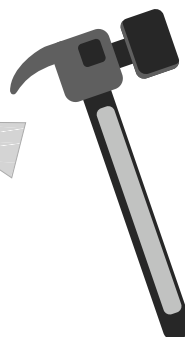
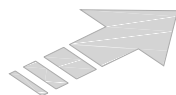
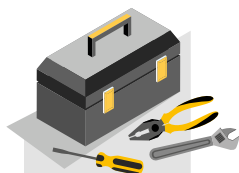
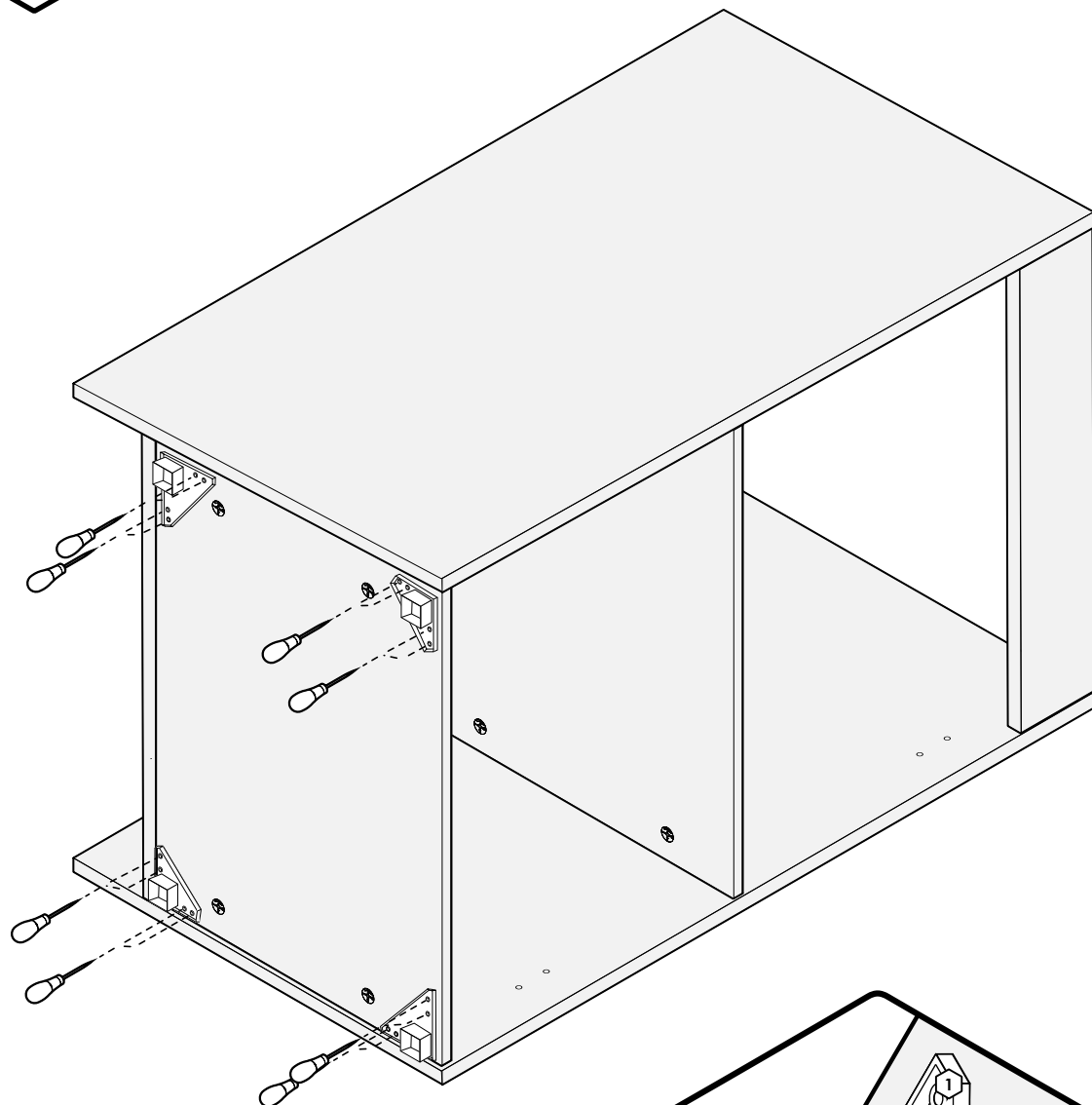


EXPORT



P  
x4

8





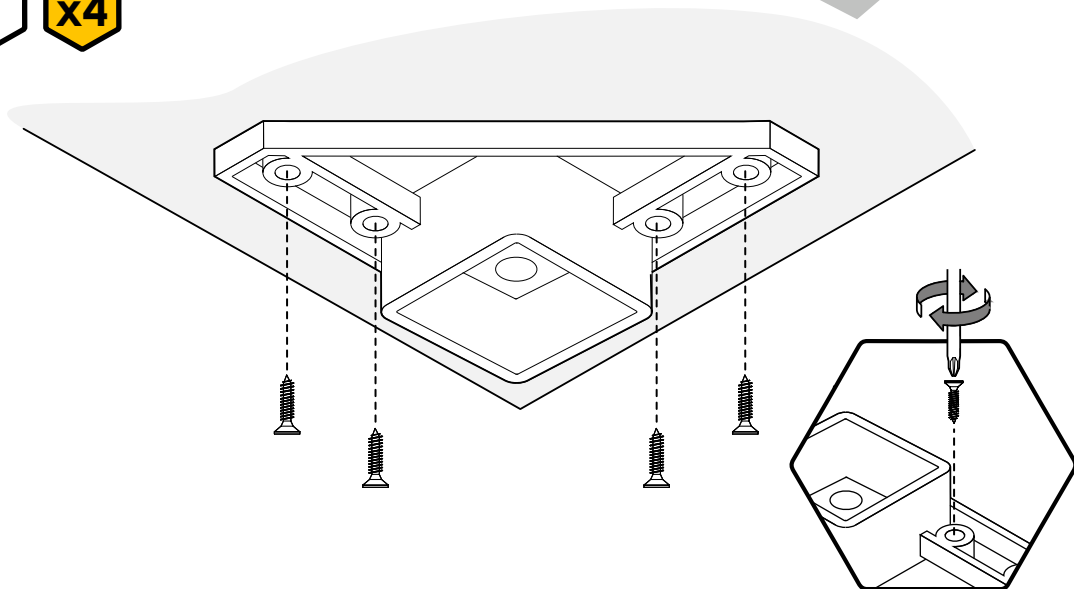


EXPORT

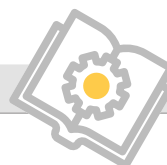
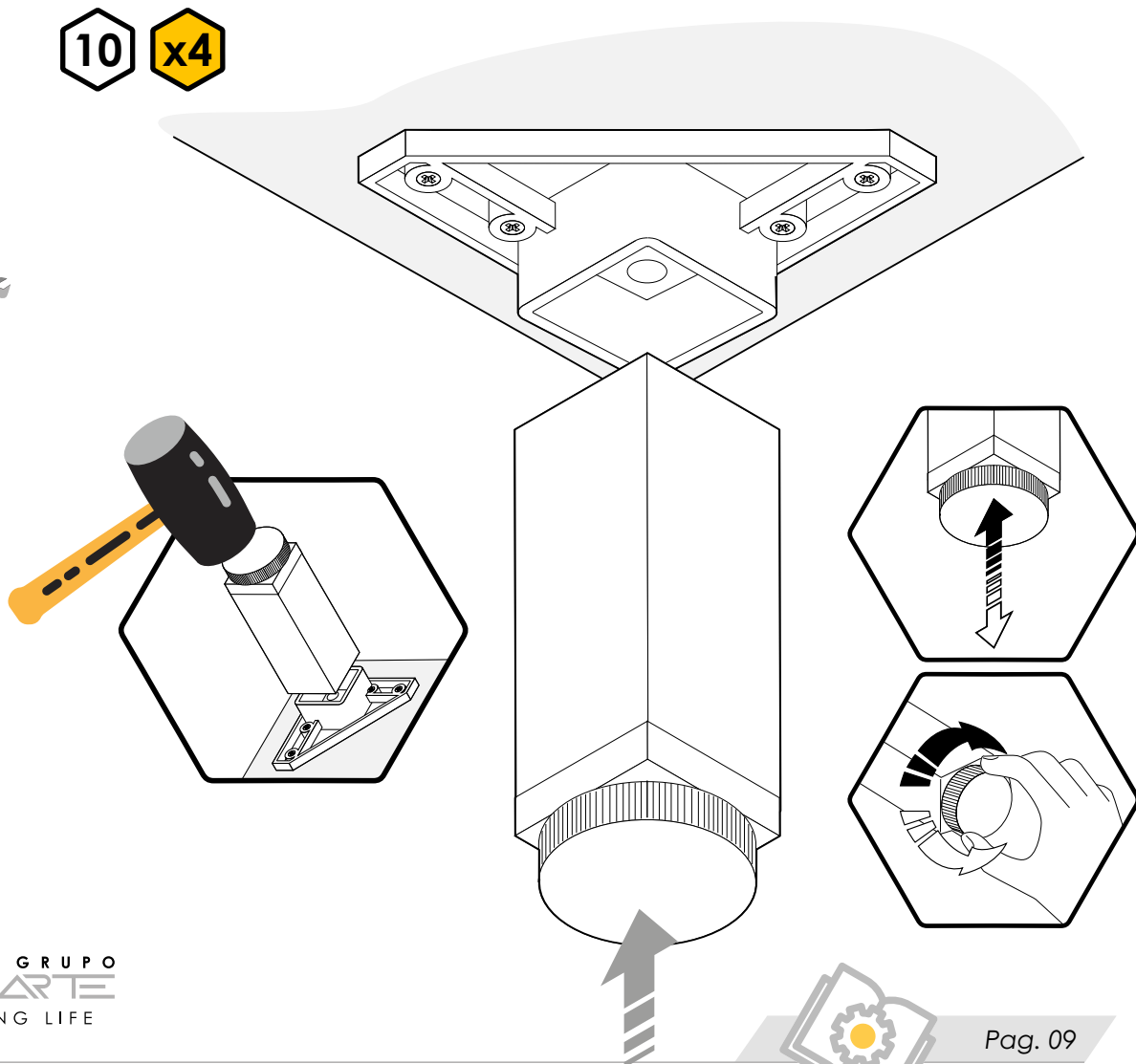
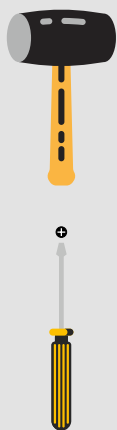
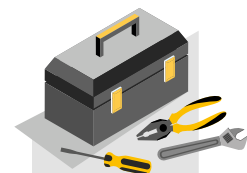


P2  
x16

9 x4

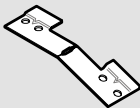


10 x4

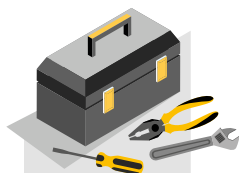




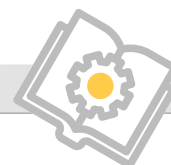
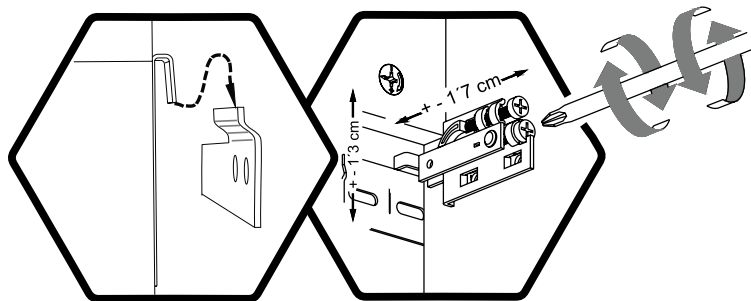
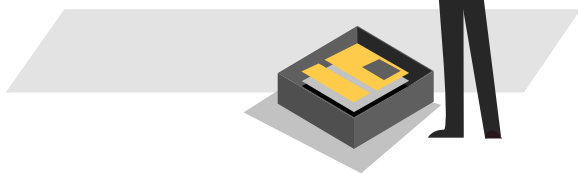
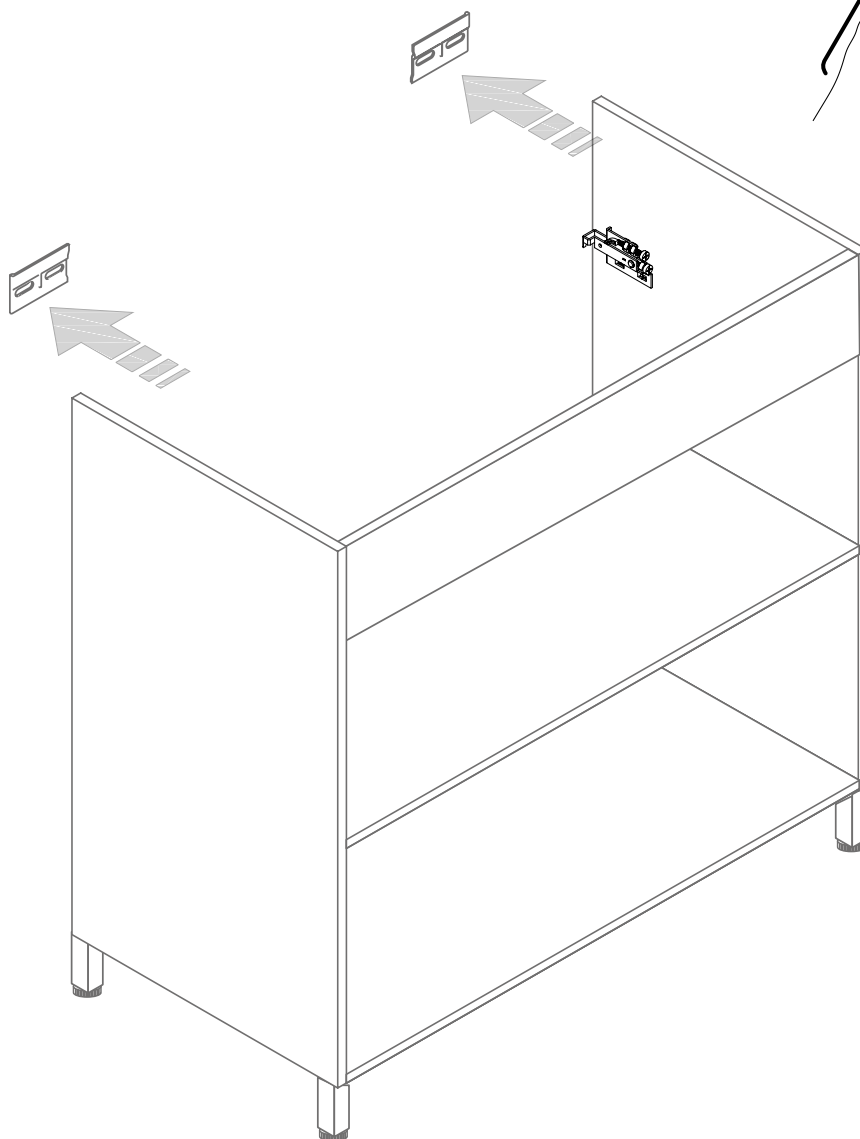
EXPORT



**K2**  
x1

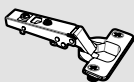


11





EXPORT



M1

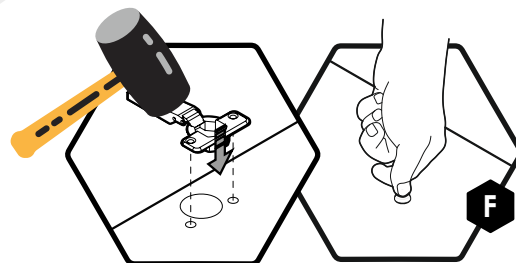
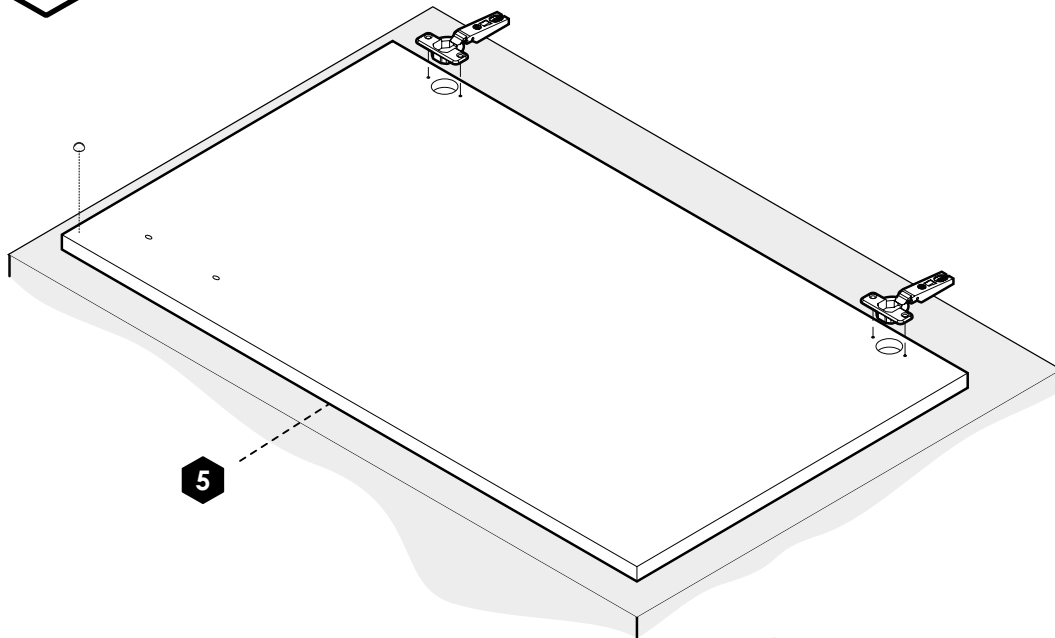
x4



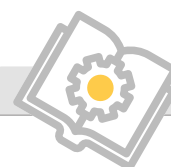
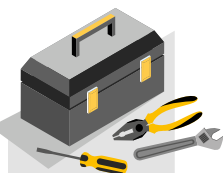
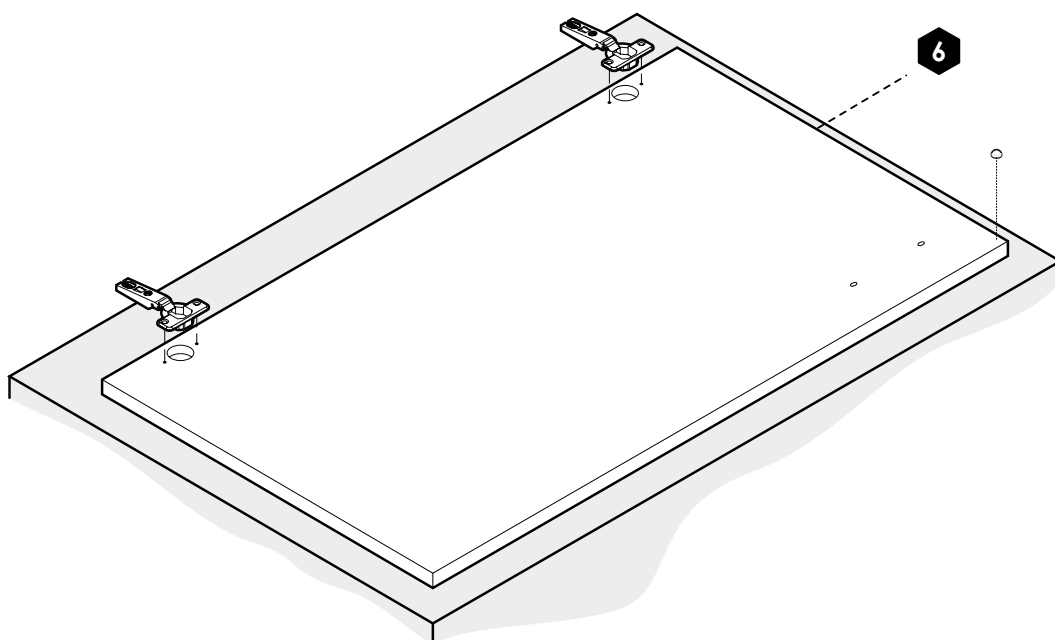
F

x2

12



13



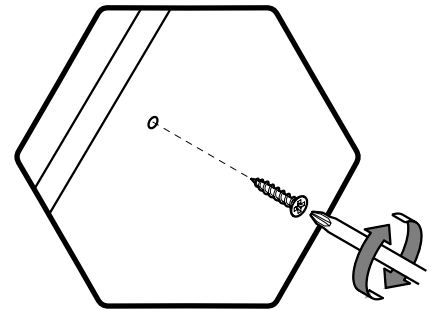
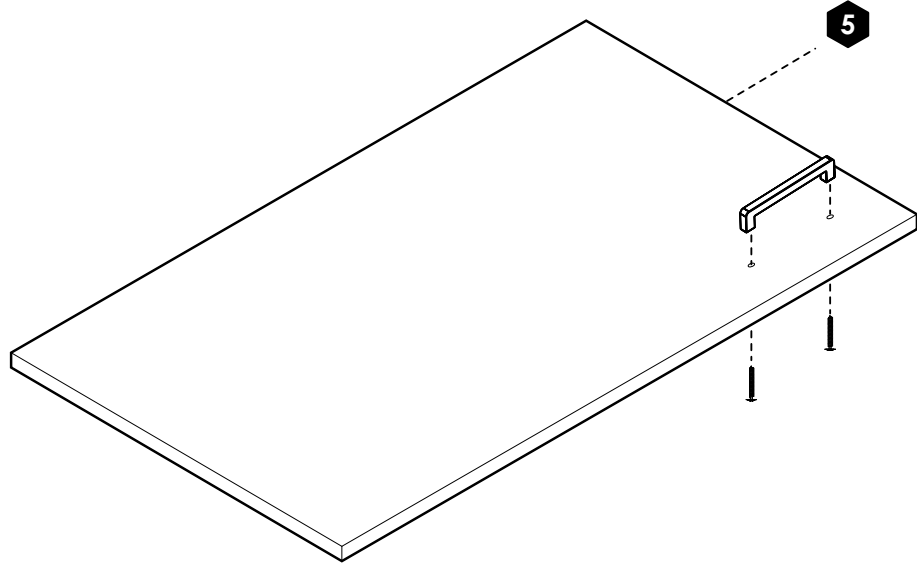


EXPORT

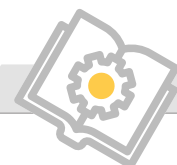
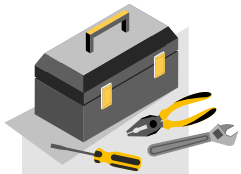
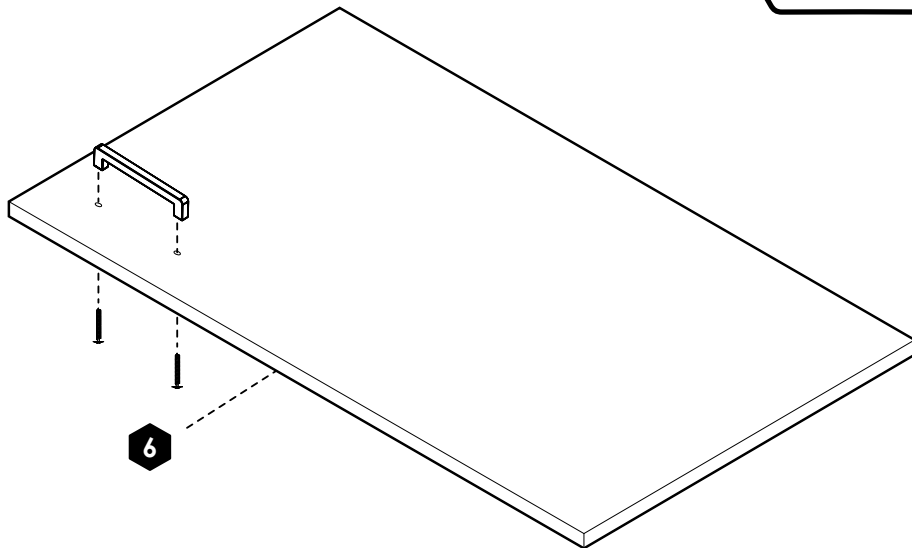


T2  
x4

14



15

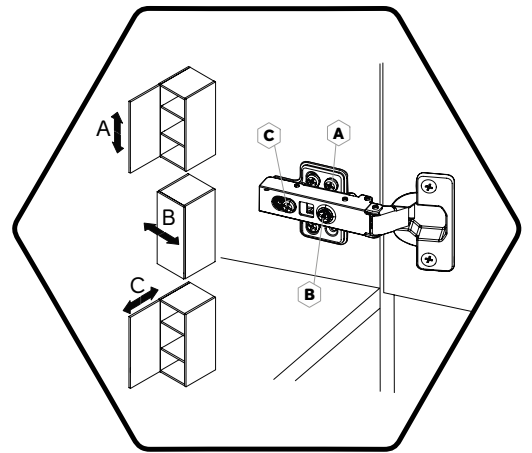
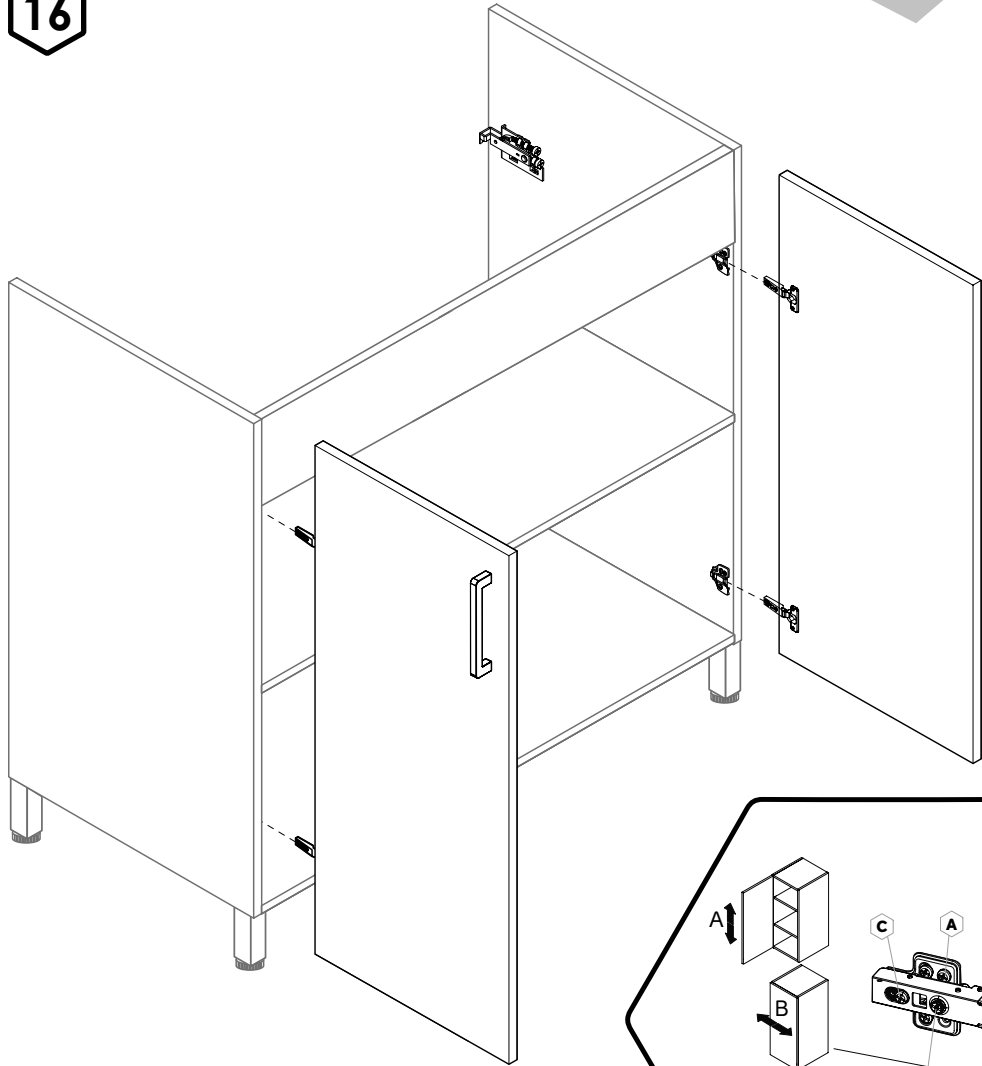




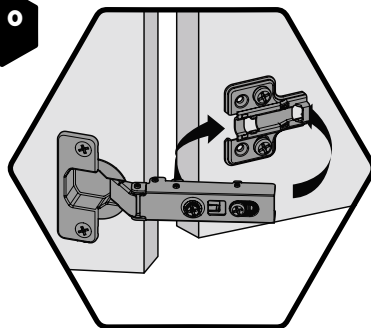
EXPORT



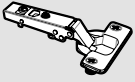
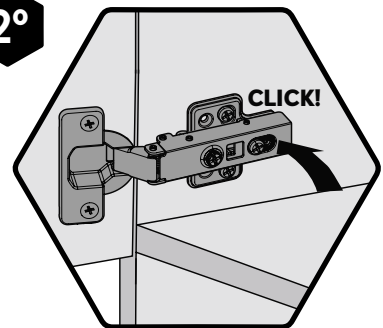
16



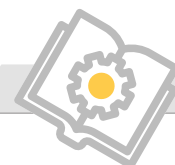
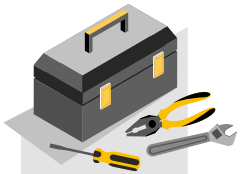
1°



2°

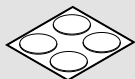


M1  
x4





EXPORT



**D**  
x14

17

